

PANORAMA

# LED FLOOD LIGHT

FY SERIES

2020

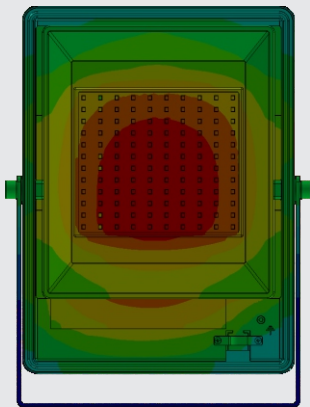


# OVERVIEW

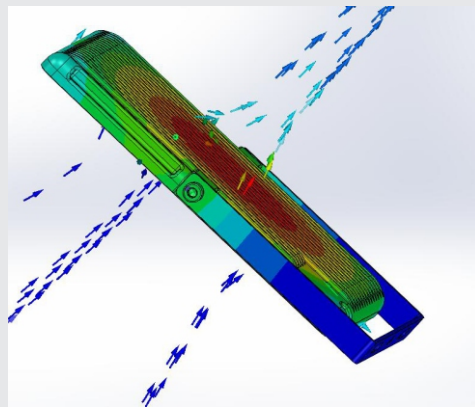
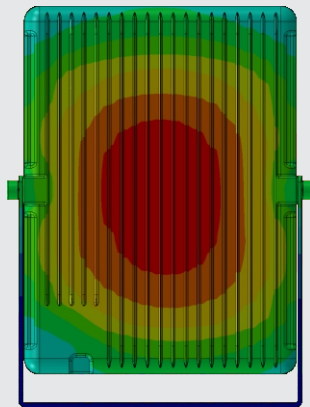


# THERMAL MANAGEMENT

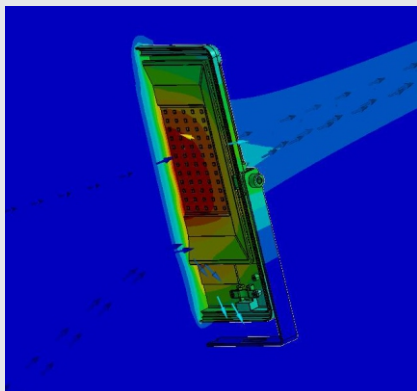
Structure is optimized by advanced FEA technology. Achieving longer lifespan at best cost-efficiency.



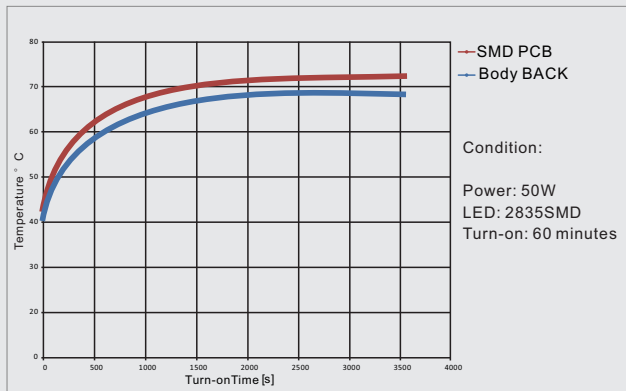
Thermal Conductivity



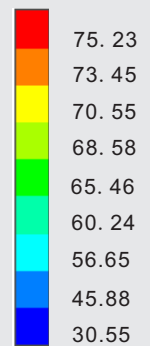
Thermal Air Convection



Thermal Air Flow

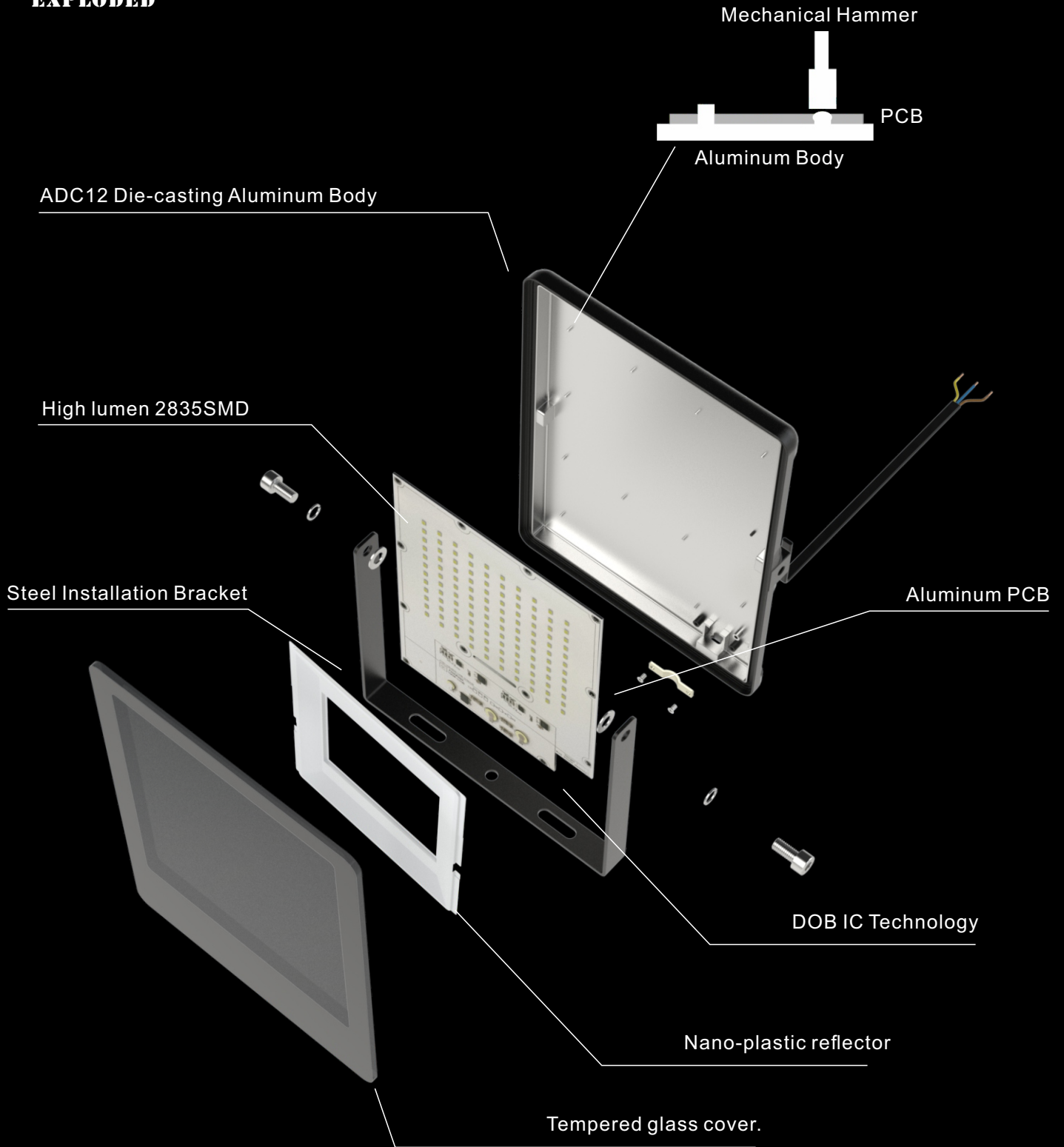


Temperature Rise Curve



Unit: °C

**EXPLODED**





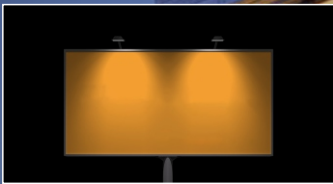
## APPLICATIONS

### Widely Applicable

to indoor and outdoor locations. IP65 waterproof. Suitable for sports centers, bridges, billboards, villa, outdoor walls and park lighting. Installation methods available are on floor, on ceiling, on wall or on high mast.



Bridges



Billboards



Garden



Park

## INSTALLATIONS



Wall Mounted



Floor Mounted



Ceiling Mounted



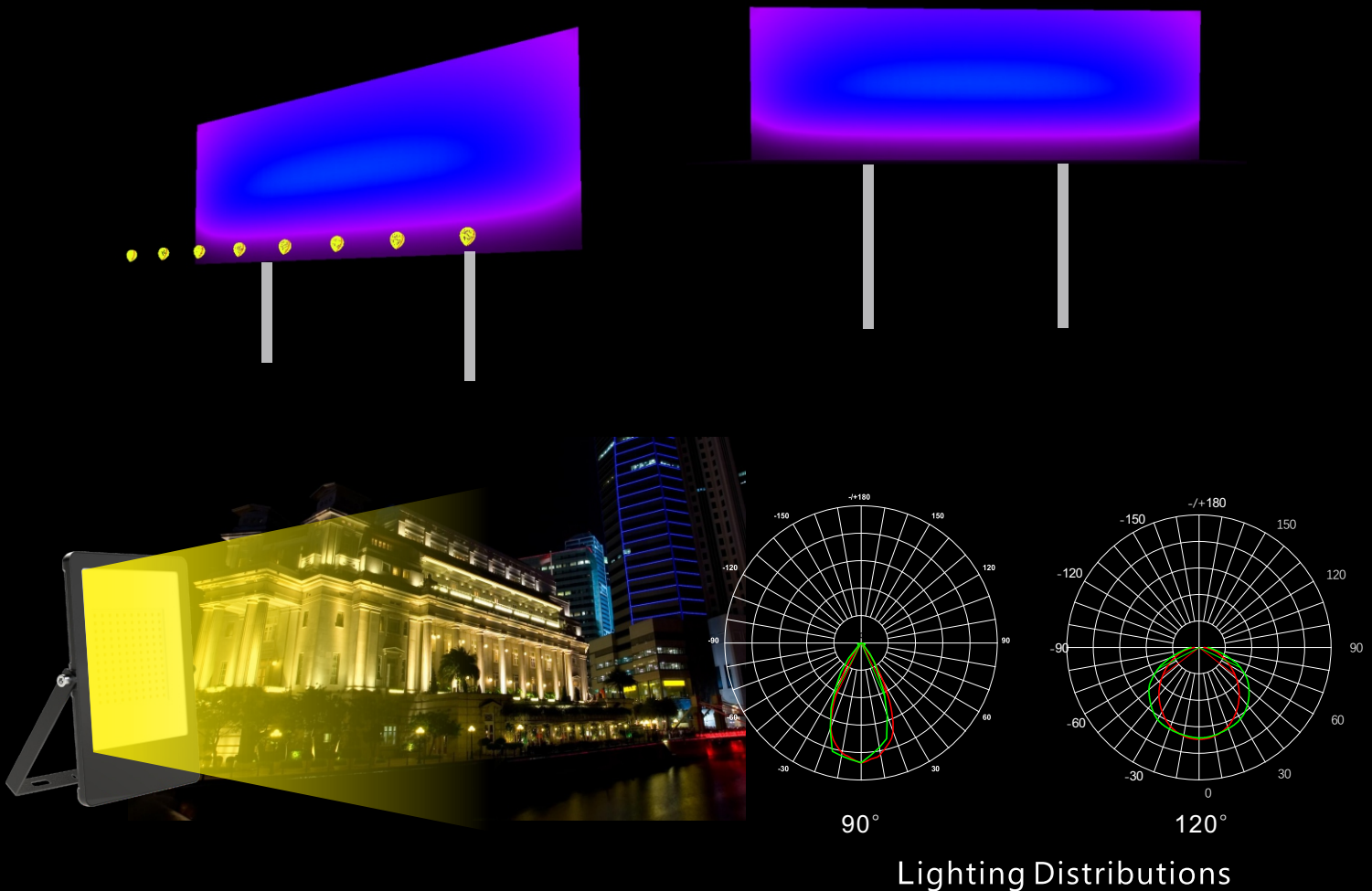
Pole Mounted



## OPTICS

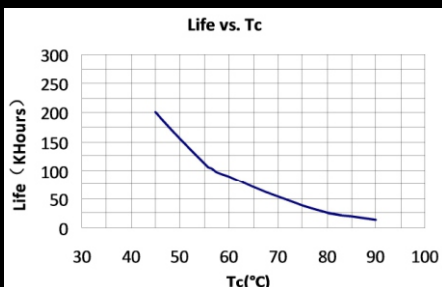
Tech. Support: Tell us the room length, width, height and the usage. We have an engineer team to respond the DIALUX simulations for lights quantity calculation and effects.

.ies files are available upon request.



Lighting Distributions

## ELECTRICAL



1 AC230V 50Hz/60Hz

2 PF>0.9

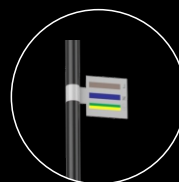
3 THD<15%

4 Surge protection 10KV (SPD)

5 DOB IC Technology.

6 Efficiency>92%, more energy-saving.

7 Start time 0.75S.



Brown: L

Blue: N

Yellow& Green: GND

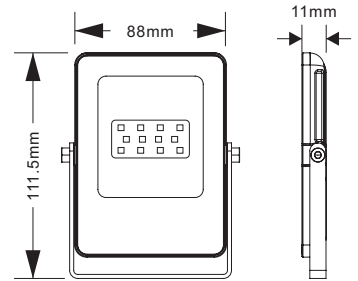
# PARAMETERS



## P-FY10-10W

LED Module: 3030SMD  
 LED Power: 10W±10%  
 Product Size: 111.5\*88\*11mm  
 Efficacy: 75-80LM/W  
 LED Initial Flux: 750-800LM  
 Power Factor: >0.9  
 Voltage: AC110V/240V 50Hz/60Hz  
 Beam Angle: 90°/120°

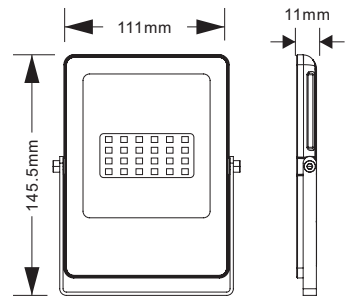
Color Rendering Index: Ra>75-85  
 IP Grade/ IK Grade: IP65/Ik07  
 Working Temp: -40°C~ +55°C  
 Working Life-Span: 30,000H  
 Connect Wire: Brown/Blue/Yellow  
 Housing Color: Black / Grey / white  
 LED Driver: DOB IC Solution



## P-FY20-20W

LED Module: 2835SMD  
 LED Power: 20W±10%  
 Product Size: 145.5\*111\*11mm  
 Efficacy: 80-90LM/W  
 LED Initial Flux: 1600-1800LM  
 Power Factor: >0.9  
 Voltage: AC110V/240V 50Hz/60Hz  
 Beam Angle: 90°/120°

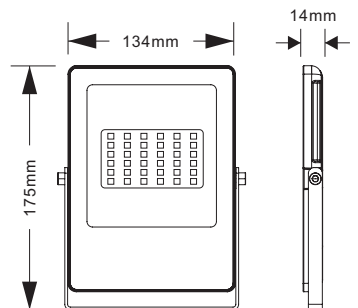
Color Rendering Index: Ra>75-85  
 IP Grade/ IK Grade: IP65/Ik07  
 Working Temp: -40°C~ +55°C  
 Working Life-Span: 30,000H  
 Connect Wire: Brown/Blue/Yellow  
 Housing Color: Black / Grey / white  
 LED Driver: DOB IC Solution



## P-FY30-30W

LED Module: 2835SMD  
 LED Power: 30W±10%  
 Product Size: 175\*134\*14mm  
 Efficacy: 80-90LM/W  
 LED Initial Flux: 2400-2700LM  
 Power Factor: >0.9  
 Voltage: AC110V/240V 50Hz/60Hz  
 Beam Angle: 90°/120°

Color Rendering Index: Ra>75-85  
 IP Grade/ IK Grade: IP65/Ik07  
 Working Temp: -40°C~ +55°C  
 Working Life-Span: 30,000H  
 Connect Wire: Brown/Blue/Yellow  
 Housing Color: Black / Grey / white  
 LED Driver: DOB IC Solution



# OPTIONS



Light Control Sensor  
 Radar Sensor



Reflector  
 Flat/ Honeycomb



Glass  
 Clear/Textured



Body  
 Black/White



CCT  
 3000K/4000K/6500K/RGB

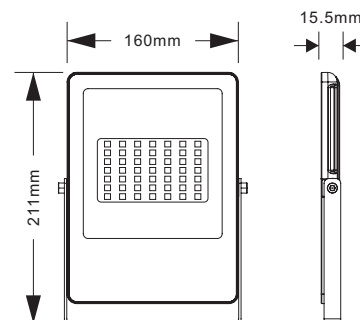
# PARAMETERS



## P-FY50-50W

LED Module: 2835SMD  
 LED Power: 50W±10%  
 Product Size: 211\*160\*15.5mm  
 Efficacy: 90-100LM/W  
 LED Initial Flux:4500-5000LM  
 Power Factor: >0.9  
 Voltage: AC110V/240V 50Hz/60Hz  
 Beam Angle: 90°/120°

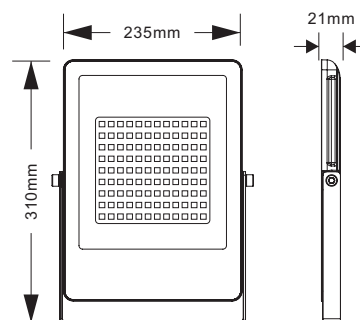
Color Rendering Index: Ra>75-85  
 IP Grade/ IK Grade: IP65/Ik07  
 Working Temp: -40°C~ +55°C  
 Working Life-Span: 30,000H  
 Connect Wire: Brown/Blue/Yellow  
 Housing Color: Black / Grey / white  
 LED Driver: DOB IC Solution



## P-FY100-100W

LED Module: 2835SMD  
 LED Power: 100W±10%  
 Product Size: 310\*235\*21mm  
 Efficacy: 90-100LM/W  
 LED Initial Flux: 90000-10000LM  
 Power Factor: >0.9  
 Voltage: AC110V/240V 50Hz/60Hz  
 Beam Angle: 90° 120°

IP Grade/ IK Grade: IP65/Ik07  
 Working Temp: -40°C~ +55°C  
 Working Life-Span: 30,000H  
 Connect Wire: Brown/Blue/Yellow  
 Housing Color: Black / Grey / white  
 LED Driver: DOB IC Solution



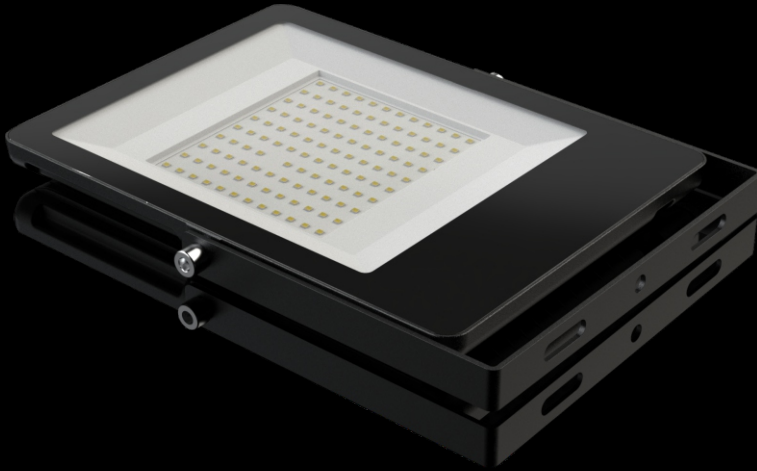
## COLOR BOX PACKING INFORMATION

Item	Inner box size	Qty/box	Qty/carton	Carton size	Product Weight	Weight (N.W)	Weight (G.W)
P-FY10	10x1.8x13cm	1pcs	80pcs	40*22*27.5cm/0.024m³	0.16kg	13.4kg	14.0kg
P-FY20	12.5x1.8x16.5cm	1pcs	60pcs	40*39.5*18cm/0.028m³	0.25kg	15.6kg	16.2kg
P-FY30	15x2x19cm	1pcs	40pcs	44*32*20.5cm/0.029m³	0.43kg	17.5kg	18.0kg
P-FY50	17.5x2.2x23cm	1pcs	24pcs	37*29.5*24.5cm/0.027m³	0.62kg	14.6kg	16.2kg
P-FY100	24x2.5x32cm	1pcs	10pcs	28*25.5*33.5cm/0.024m³	1.37kg	14.2kg	14.9kg

## BLISTER PACKING INFORMATION



Item	Qty/box	Qty/carton	Carton size	Product Weight	Weight (N.W)	Weight (G.W)
P-FY10	1pcs	50pcs	53*21.5*17.5cm/0.02 m³	0.16kg	9.5kg	9.85kg
P-FY20	1pcs	50pcs	53*36.5*15cm/0.029m³	0.25kg	13.5kg	13.9kg
P-FY30	1pcs	30pcs	42*36*17cm/0.027m³	0.43kg	13.8kg	14.2kg
P-FY50	1pcs	20pcs	49.5*27.5*19.5cm/0.02m³	0.62kg	13.2kg	13.6kg
P-FY100	1pcs	10pcs	36*35*26.5cm/0.032m³	1.37kg	14.2kg	14.8kg



**FEATURES**

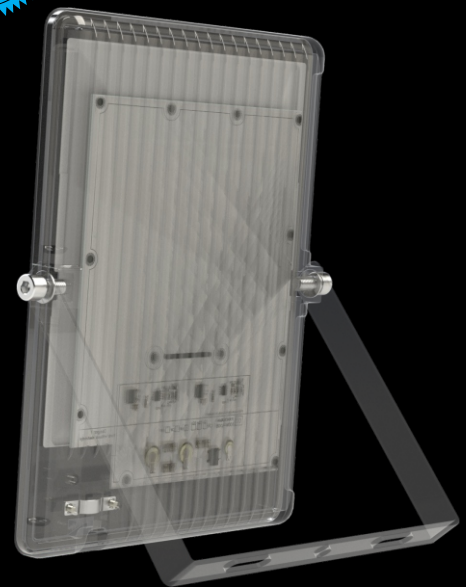
1. AC110&230V 50/60Hz.
2. Lighting efficacy up to 100lm/W.
3. Famous brand 2835SMD light source.
4. PF>0.9, THD<25%.
6. Die-casting aluminum body.
- Anti-corrosion powder painting.
7. IP65 Waterproof for outdoor use.
8. 2 years warranty.
9. Export certificates are available.

**CAUTIONS:**

1. Installation must be done by professional electricians. .
2. Do NOT take apart the product. It may be dangerous.
3. Do NOT stare at the light with naked eyes. It is harmful to eyes.
4. For outdoor lighting, waterproof measurements must be done to the cable terminals.

**WARRANTY:**

1. All LED Flood Lights are warranted by the manufacturer to be free of defects in material and workmanship for 2 years.
2. Warranty becomes void if the products is modified, improperly installed or used, damaged by accident or neglect, or if any parts are improperly installed or replaced by the user,
3. During the period of warranty time, if some products of us fails during normal circumstances and applications or have any defects above defined, we shall at our own choice replace or repair the defective products at no charge. And the liability claims would NOT exceed the value of the product itself.



**PANORAMA LIGHTING CO.,LTD**

E-mail: admin@panorama-led.com

Http://www.panorama-led.com

Add.:No.282,ChangAn North Rd,Henglan,  
Zhongshan,Guangdong, P.R.China.



**Jane**

+86-18676275645



**Alyssa**

+86-13925326903



**Lillian**

+86-13169883399